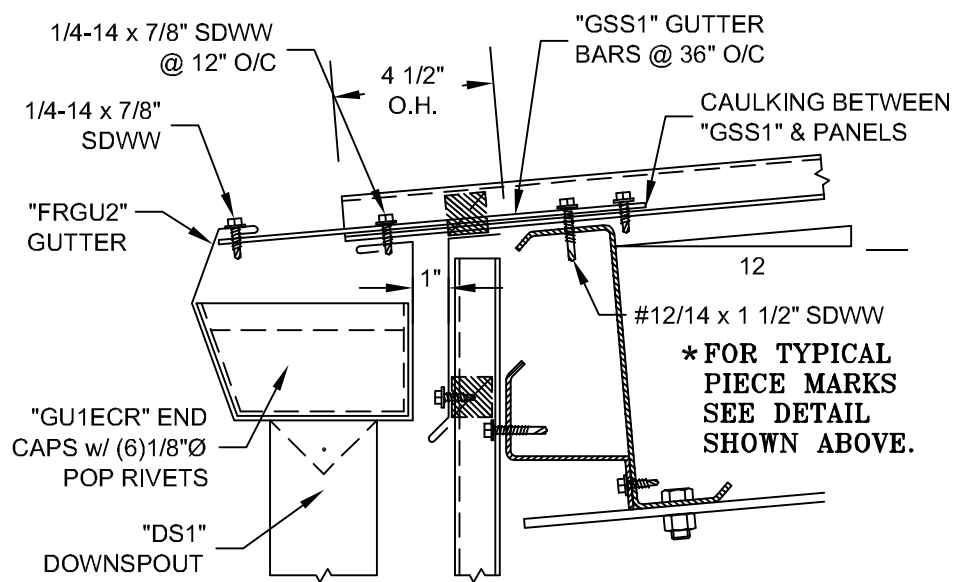
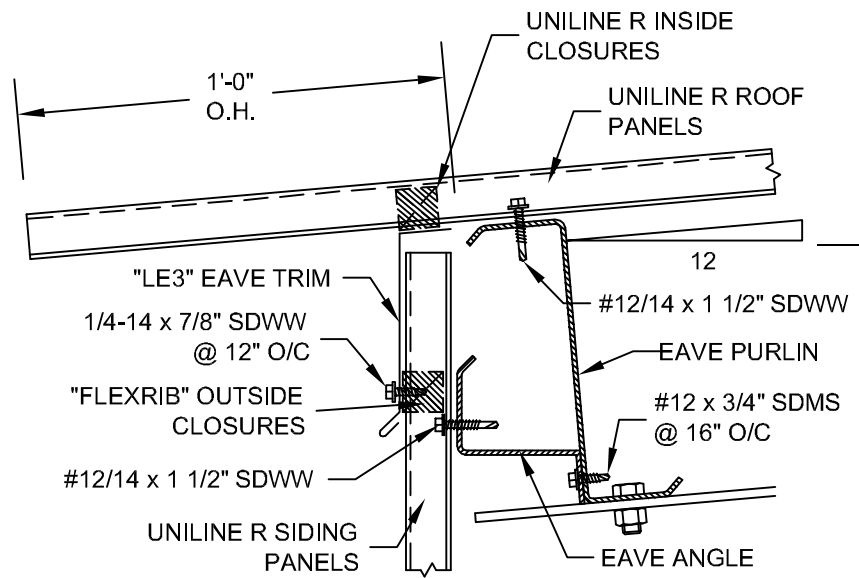


PITCH	"A" DIM.	"B" DIM.	"C" DIM.	"D" DIM.
1:12	95°	115°	85°	5 5/8"
2:12	100°	120°	80°	6"
3:12	104°	124°	76°	6 3/8"
4:12	109°	129°	71°	6 13/16"
5:12	113°	133°	67°	7 3/16"



**EAVE w/ TRIM & FLUSH GUTTER**

- NOTES:**
- GUTTER TO BE CAULKED & LAPPED 4" MIN. AND POP RIVETED TOGETHER USING (8) 1/8"Ø POP RIVETS.
  - FIELD LOCATE AND MARK DOWNSPOUT LOCATION IN BOTTOM OF GUTTER. DRAW LINE FROM CORNER TO CORNER AND CUT ALONG LINE. BEND TABS DOWN AND POP RIVET INSIDE DOWNSPOUT.
  - USE THE CHART TO THE LEFT FOR DIMENSION VALUES FOR YOUR PARTICULAR ROOF PITCH.
  - GUTTER SIZE AND GUTTER BAR SPACING MUST BE ADJUSTED TO SUIT LOCAL WEATHER PECULIARITIES AND/OR TO ACCOMMODATE LONG ROOF SLOPES.

**ENGLERT**<sup>™</sup>  
 www.englertinc.com  
 800-364-5378

GENERIC BEST PRACTICE ASSEMBLY SHOWN. WATERTIGHTNESS WARRANTY NOT IMPLIED. WHEN SITE CONDITION DIFFERS, SPECIFIC ENGINEERING NECESSARY.

**UNILINE R STANDARD DETAILS**

**BUILDING EAVE DETAILS**

Project: \_\_\_\_\_ Location: \_\_\_\_\_  
 Date: \_\_\_\_\_ Scale: NTS

DETAIL SUBJECT TO CHANGE WITHOUT NOTICE.

Detail # **W.UR.05.1**

By: \_\_\_\_\_