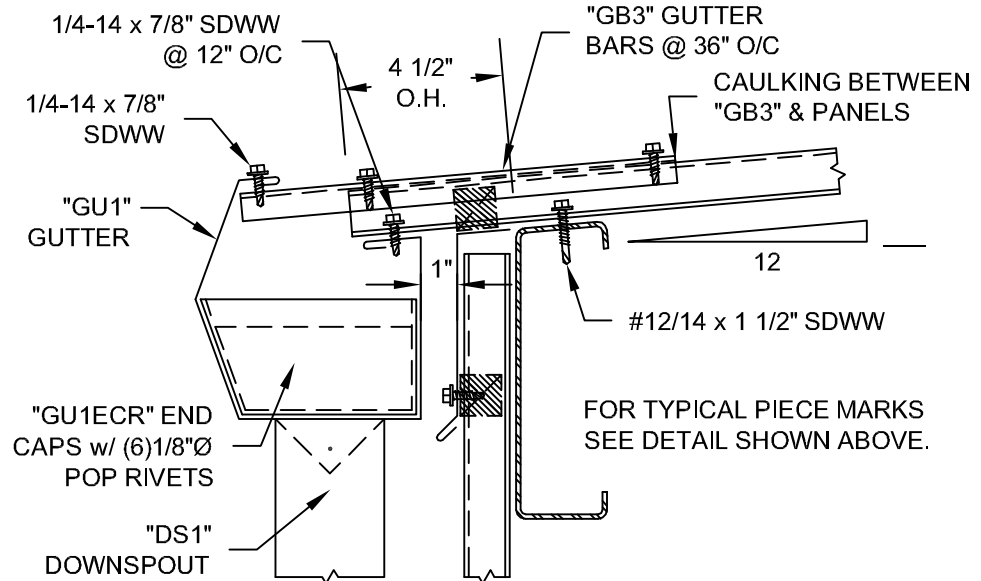
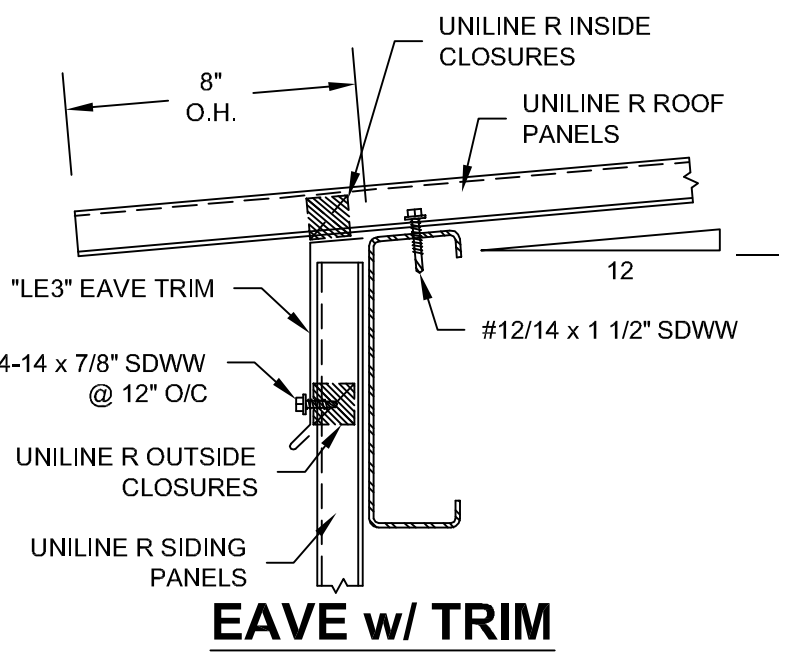


PITCH	"A" DIM.	"B" DIM.	"C" DIM.	"D" DIM.
1:12	95°	115°	85°	5 9/16
2:12	100°	120°	80°	5 15/16
3:12	104°	124°	76°	6 3/8
4:12	109°	129°	71°	6 3/4
5:12	113°	133°	67°	7 1/8



- NOTES:**
- GUTTER TO BE CAULKED & LAPPED 4" MIN. AND POP RIVETED TOGETHER USING (8) 1/8"Ø POP RIVETS.
 - FIELD LOCATE AND MARK DOWNSPOUT LOCATION IN BOTTOM OF GUTTER. DRAW LINE FROM CORNER TO CORNER AND CUT ALONG LINE. BEND TABS DOWN AND POP RIVET INSIDE DOWNSPOUT.
 - USE THE CHART TO THE LEFT FOR DIMENSION VALUES FOR YOUR PARTICULAR ROOF PITCH.
 - GUTTER SIZE AND GUTTER BAR SPACING MUST BE ADJUSTED TO SUIT LOCAL WEATHER PECULIARITIES AND/OR TO ACCOMMODATE LONG ROOF SLOPES.

ENGLERT
 www.englertinc.com
 800-364-5378

GENERIC BEST PRACTICE ASSEMBLY SHOWN. WATERTIGHTNESS WARRANTY NOT IMPLIED. WHEN SITE CONDITION DIFFERS, SPECIFIC ENGINEERING NECESSARY.

UNILINE R STANDARD DETAILS

EAVE DETAILS

Project: _____ Location: _____
 Date: _____ Scale: NTS _____

DETAIL SUBJECT TO CHANGE WITHOUT NOTICE.

Detail # **W.UR.05**

By: _____