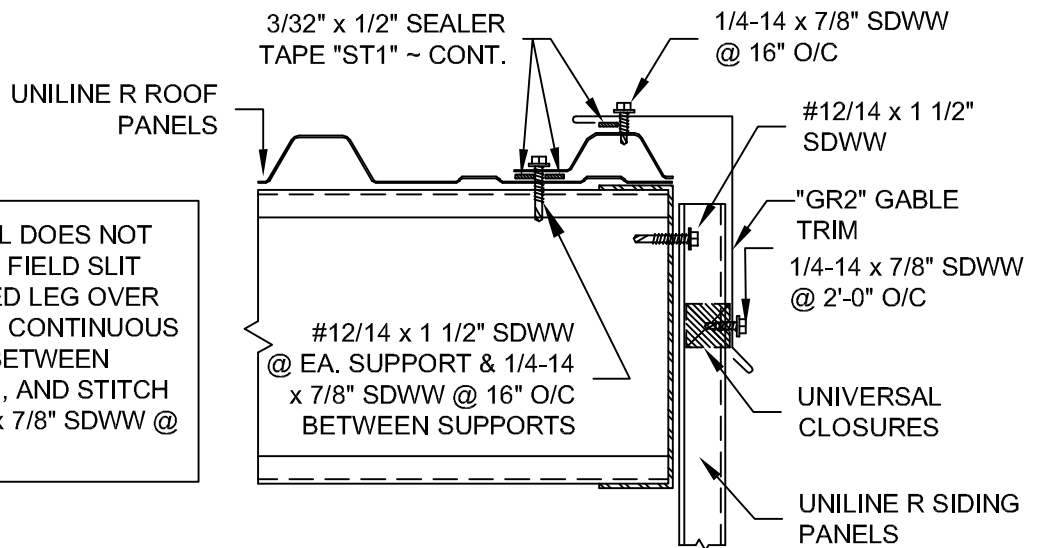


## START GABLE DETAIL



**ERECTOR NOTE:** IF PANEL DOES NOT END ON A HIGH RIB; THEN FIELD SLIT PANEL, BACK LAP TRIMMED LEG OVER ROOF PANEL, APPLY TWO CONTINUOUS ROWS OF SEALER TAPE BETWEEN PANEL AND TRIMMED LEG, AND STITCH TOGETHER USING 1/4-14 x 7/8" SDWW @ 16" O/C MAX.

## FINISH GABLE DETAIL



www.englertinc.com  
800-364-5378

GENERIC BEST PRACTICE ASSEMBLY SHOWN. WATERTIGHTNESS WARRANTY NOT IMPLIED. WHEN SITE CONDITION DIFFERS, SPECIFIC ENGINEERING NECESSARY.

### UNILINE R STANDARD DETAILS

### GABLE DETAILS

DETAIL SUBJECT TO CHANGE WITHOUT NOTICE.

Detail #

W.UR.06

Project:

Date:

Scale: NTS

Location:

By: