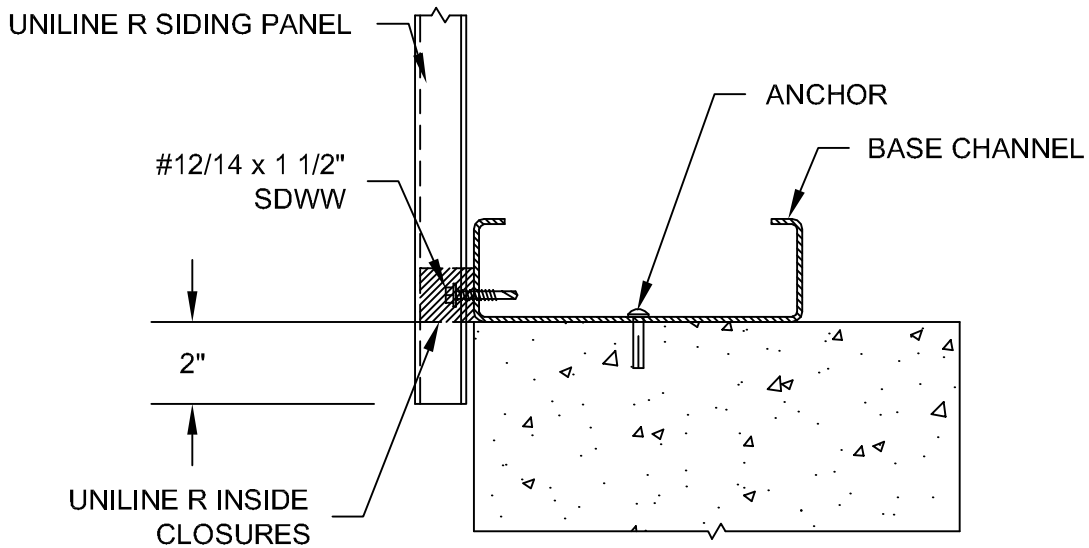
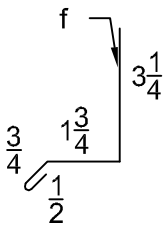


## CURB w/ TRIM



## CURB w/ CLOSURE



"BD5" BASE TRIM



www.englertinc.com  
800-364-5378

GENERIC BEST PRACTICE ASSEMBLY SHOWN. WATERTIGHTNESS WARRANTY NOT IMPLIED. WHEN SITE CONDITION DIFFERS, SPECIFIC ENGINEERING NECESSARY.

### UNILINE R STANDARD DETAILS

#### BUILDING BASE DETAILS

DETAIL SUBJECT TO CHANGE WITHOUT NOTICE.

Detail #

**W.UR.09.1**

Project:

Date:

Scale: NTS

Location:

By: