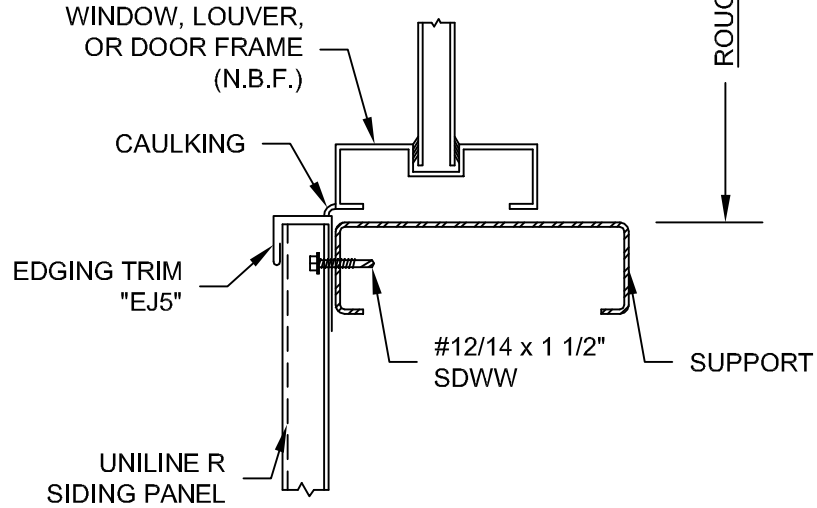
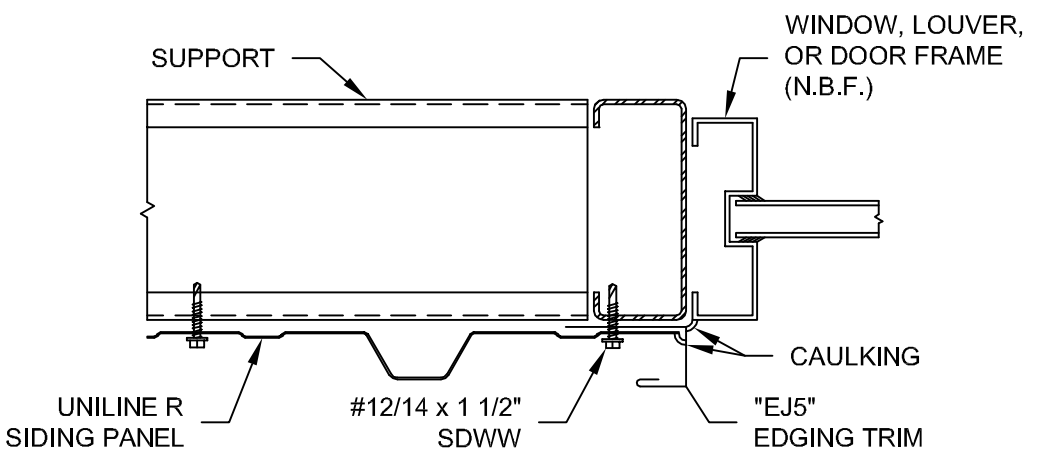


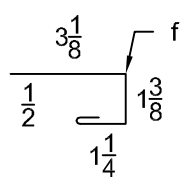
OPENING HEAD



OPENING SILL



OPENING JAMB



"EJ5" EDGING TRIM

ROUGH OPENING

ENGLERT
 www.englertinc.com
 800-364-5378

GENERIC BEST PRACTICE ASSEMBLY SHOWN. WATERTIGHTNESS WARRANTY NOT IMPLIED. WHEN SITE CONDITION DIFFERS, SPECIFIC ENGINEERING NECESSARY.

UNILINE R STANDARD DETAILS		DETAIL SUBJECT TO CHANGE WITHOUT NOTICE.
OPENING HEAD, SILL, & JAMB DETAILS		Detail #
		W.UR.10.1
Project:	Location:	
Date:	Scale: NTS	By: