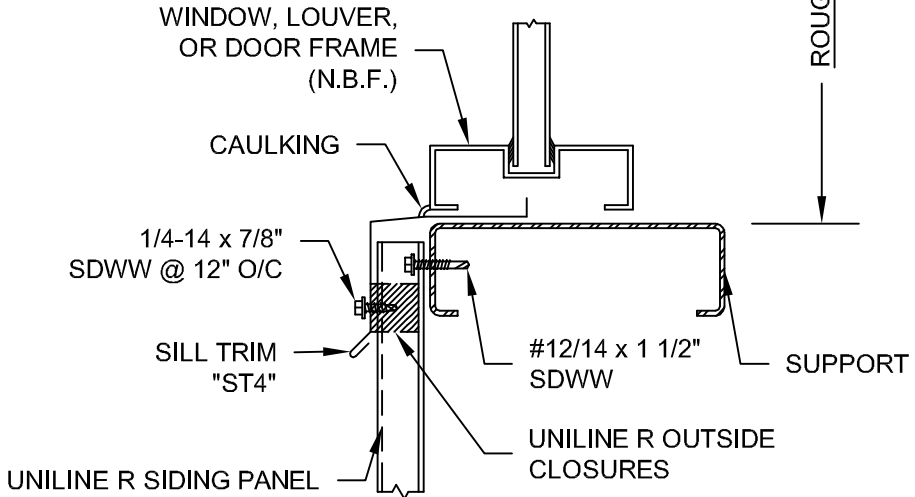
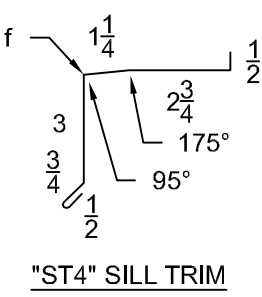
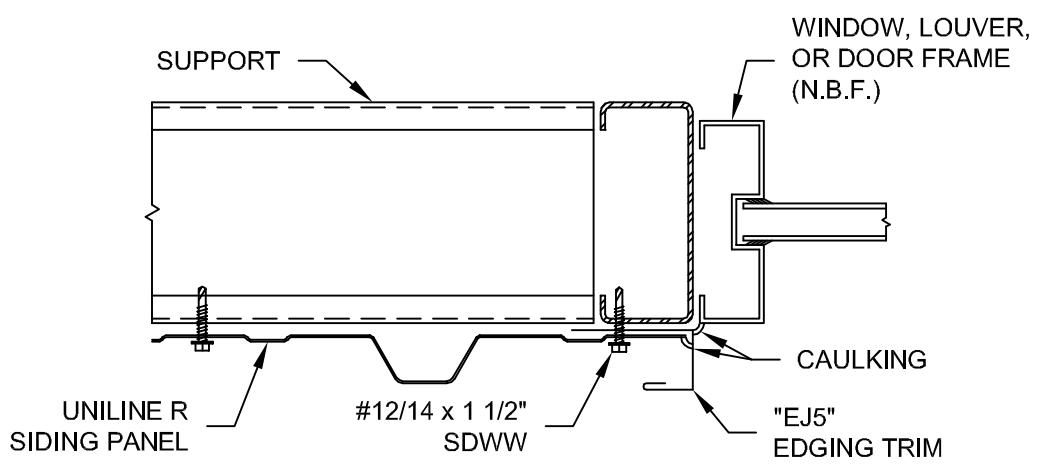
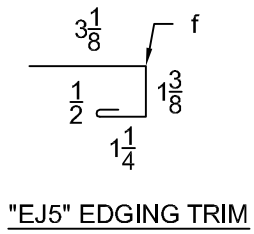


OPENING HEAD



OPENING SILL



OPENING JAMB

ENGLERT
 www.englertinc.com
 800-364-5378

GENERIC BEST PRACTICE ASSEMBLY SHOWN. WATERTIGHTNESS WARRANTY NOT IMPLIED. WHEN SITE CONDITION DIFFERS, SPECIFIC ENGINEERING NECESSARY.

UNILINE R STANDARD DETAILS		DETAIL SUBJECT TO CHANGE WITHOUT NOTICE.
OPENING HEAD, SILL, & JAMB DETAILS		Detail #
Project:	Location:	W.UR.10
Date:	Scale: NTS	By:

FEB 2012 © ENGLERT, INC.