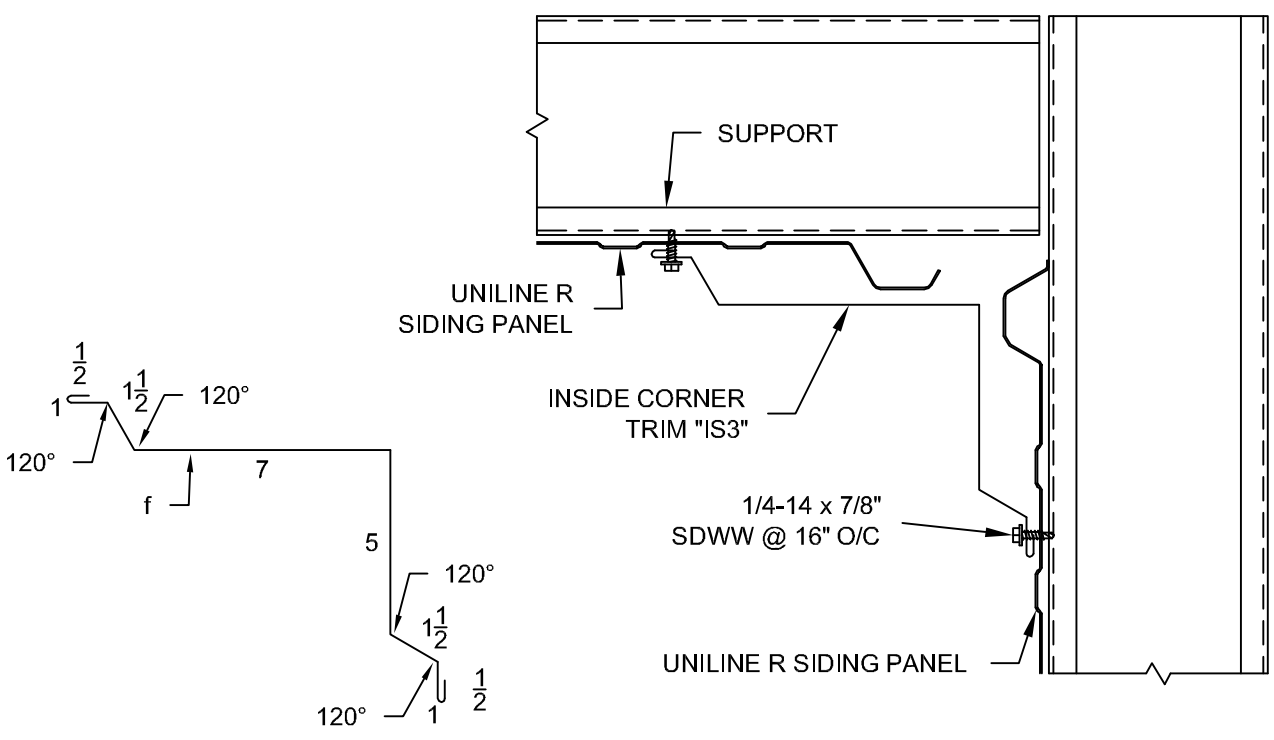



"OS3" OUTSIDE CORNER TRIM

OUTSIDE CORNER DETAIL



"IS3" INSIDE CORNER TRIM

INSIDE CORNER DETAIL

 www.englertinc.com 800-364-5378	UNILINE R STANDARD DETAILS		DETAIL SUBJECT TO CHANGE WITHOUT NOTICE.
	OUTSIDE & INSIDE CORNER DETAILS		Detail # W.UR.11
Project: Date:	Scale: NTS	Location:	By:

GENERIC BEST PRACTICE ASSEMBLY SHOWN. WATERTIGHTNESS WARRANTY NOT IMPLIED. WHEN SITE CONDITION DIFFERS, SPECIFIC ENGINEERING NECESSARY.