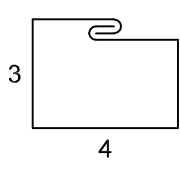
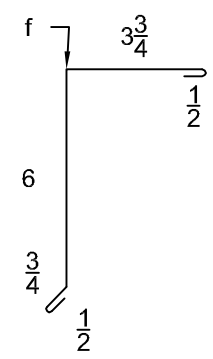
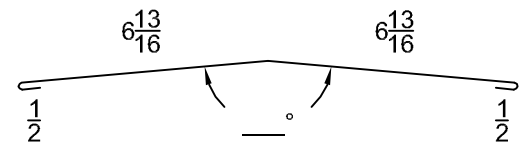
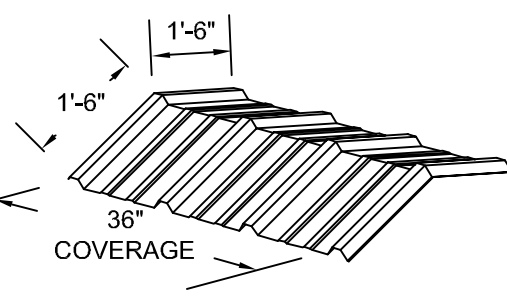



# "UNILINE R" STANDARD TRIM SKETCHES

<div style="border: 1px solid black; padding: 2px; margin-bottom: 5px;">GA. # _____ COLOR _____</div> <div style="border: 1px solid black; padding: 2px; margin-bottom: 10px;">15 1/2"</div> <div style="text-align: center;">  </div> <p style="text-align: center;">REQ'D: _____ PCS. @ 10'-0" LG.</p>	<div style="border: 1px solid black; padding: 2px; margin-bottom: 5px;">GA. # _____ COLOR _____</div> <div style="border: 1px solid black; padding: 2px; margin-bottom: 10px;">11 1/2"</div> <div style="text-align: center;">  </div> <p style="text-align: center;">REQ'D: _____ PCS. @ 10'-0" LG.</p>
<h2><u>"DS1" DOWNSPOUTS</u></h2>	<h2><u>"GR2" GABLE TRIM</u></h2>
<div style="border: 1px solid black; padding: 2px; margin-bottom: 5px;">GA. # _____ COLOR _____</div> <div style="border: 1px solid black; padding: 2px; margin-bottom: 10px;">14 5/8"</div> <div style="text-align: center;">  </div> <p style="text-align: center;">REQ'D: _____ PCS. @ 10'-0" LG.</p>	<div style="border: 1px solid black; padding: 2px; margin-bottom: 5px;">GA. # _____ COLOR _____</div> <div style="text-align: center;">  </div> <p style="text-align: center;">REQ'D: _____ PCS.</p>
<h2><u>"RC1" RIDGE CAP</u></h2>	<h2><u>"RC2" FORMED RIDGE</u></h2>

**NOTES:**

1. ALL TRIM IS MANUFACTURED IN 10'-0" LENGTHS UNLESS SPECIFIED OTHERWISE.
2. MAXIMUM LENGTH OF TRIM IS 10'-0".
3. PLEASE INSERT GAUGE OF MATERIAL IN SPACES PROVIDED.
4. PLEASE INSERT COLOR OF MATERIAL IN SPACES PROVIDED.
5. PLEASE INSERT QUANTITY DESIRED WHERE SHOWN.
6. PLEASE INSERT REQ'D DIMENSIONS.

 <p style="font-size: small;">www.englertinc.com 800-364-5378</p> <p style="font-size: x-small;">GENERIC BEST PRACTICE ASSEMBLY SHOWN. WATERTIGHTNESS WARRANTY NOT IMPLIED. WHEN SITE CONDITION DIFFERS, SPECIFIC ENGINEERING NECESSARY.</p>	<h2>UNILINE R STANDARD DETAILS</h2>	DETAIL SUBJECT TO CHANGE WITHOUT NOTICE.
	<h3>STANDARD TRIM SKETCHES</h3>	Detail # <b>W.UR.14</b>
Project: _____	Date: _____	Location: _____
Scale: NTS		By: _____