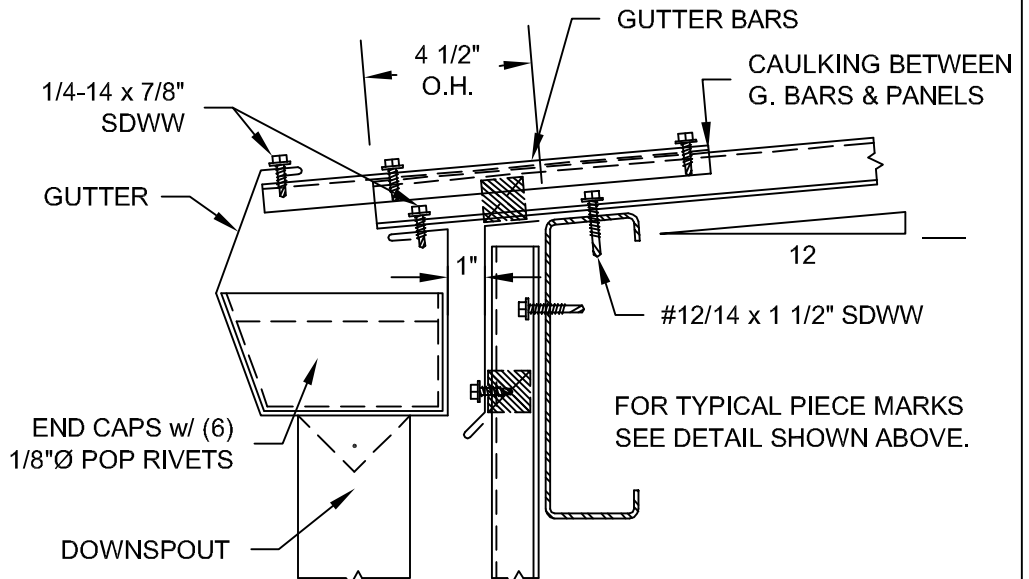


EAVE w/ TRIM



EAVE w/ TRIM & GUTTER

NOTES:

1. GUTTER AND RELATED ACCESSORIES ARE NOT A STANDARD PART OF THE UNILINE RW SIDING PANEL SYSTEM, BUT CAN BE MANUFACTURED AND SUPPLIED TO THE CUSTOMERS SPECIFICATIONS.
2. USE THE CHART TO THE LEFT FOR DIMENSION VALUES FOR YOUR PARTICULAR ROOF PITCH.

PITCH	"A" DIM.
1:12	95°
2:12	100°
3:12	104°
4:12	109°
5:12	113°

ENGLERT[™]
 www.englertinc.com
 800-364-5378

GENERIC BEST PRACTICE ASSEMBLY SHOWN. WATERTIGHTNESS WARRANTY NOT IMPLIED. WHEN SITE CONDITION DIFFERS, SPECIFIC ENGINEERING NECESSARY.

UNILINE RW STANDARD DETAILS

EAVE DETAILS

Project: _____ Location: _____
 Date: _____ Scale: NTS _____

DETAIL SUBJECT TO CHANGE WITHOUT NOTICE.

Detail #
W.URW.04

By: _____