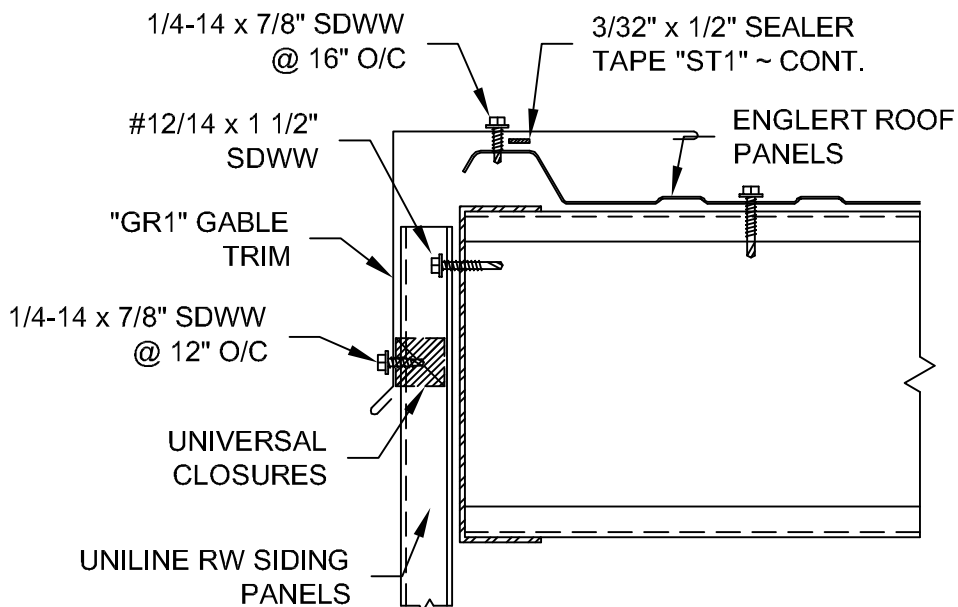
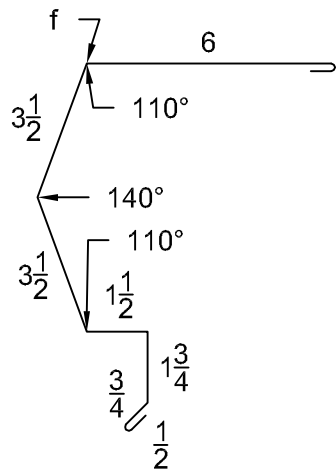


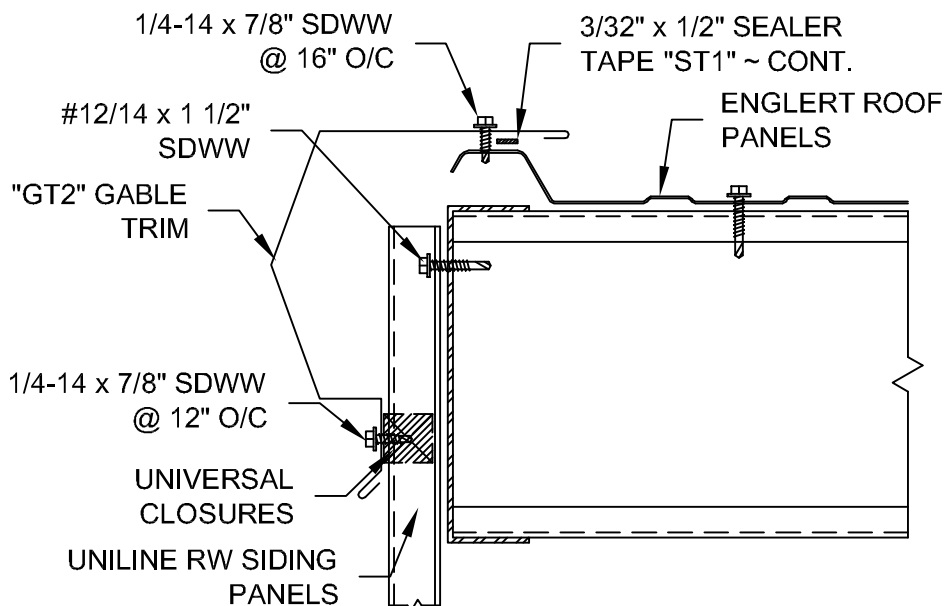
"GR1" GABLE TRIM



GABLE DETAIL



"GT2" GABLE TRIM



GABLE DETAIL



www.englertinc.com
800-364-5378

GENERIC BEST PRACTICE ASSEMBLY SHOWN. WATERTIGHTNESS WARRANTY NOT IMPLIED. WHEN SITE CONDITION DIFFERS, SPECIFIC ENGINEERING NECESSARY.

UNILINE RW STANDARD DETAILS

GABLE DETAILS

DETAIL SUBJECT TO CHANGE WITHOUT NOTICE.

Detail #

W.URW.05

Project:
Date:

Scale: NTS

Location:

By: