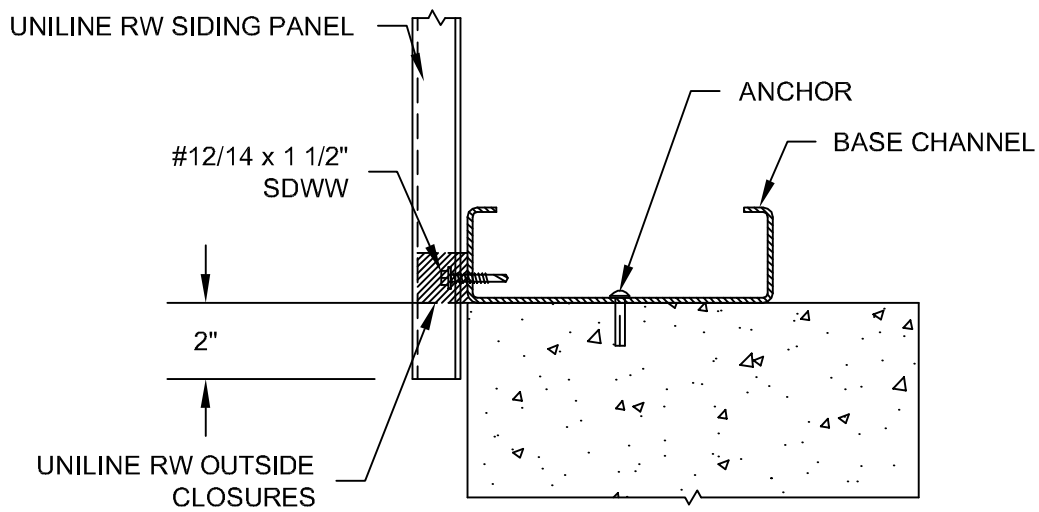
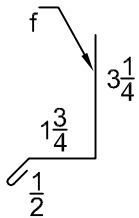


CURB w/ TRIM



CURB w/ CLOSURE



"BD5" BASE TRIM



www.englertinc.com
800-364-5378

GENERIC BEST PRACTICE ASSEMBLY SHOWN. WATERTIGHTNESS WARRANTY NOT IMPLIED. WHEN SITE CONDITION DIFFERS, SPECIFIC ENGINEERING NECESSARY.

UNILINE RW STANDARD DETAILS

BUILDING BASE DETAILS

DETAIL SUBJECT TO CHANGE WITHOUT NOTICE.

Detail #

W.URW.07.1

Project:

Date:

Scale: NTS

Location:

By: