

SERIES 1000 PANEL SYSTEM

Architectural System for Commercial and Residential

1 1/2" Architectural Snap-Lock Panel System

Englert's Series 1000 system is designed for sloped roofs and other exterior surfaces of light commercial and residential projects. The 1000 profile, with concealed clips and fasteners, requires no mechanical seaming or separate seam cap. The narrow standing seam can be notched and bent to provide a smooth transition from roof to fascia or mansard. Knee caps are applied over the notched seams to create visual continuity.

System Applications

- Light duty for residential and commercial use
- 3"/12" minimum slope
- Must be installed over a solid deck

Substrates

- 26 and 24 gauge steel
- .032" aluminum
- 16 oz. copper

Finishes

Englert's Series 1000 system is available in a wide variety of coatings and colors. See the Englert color card for our full range of standard colors and paint system specifications.

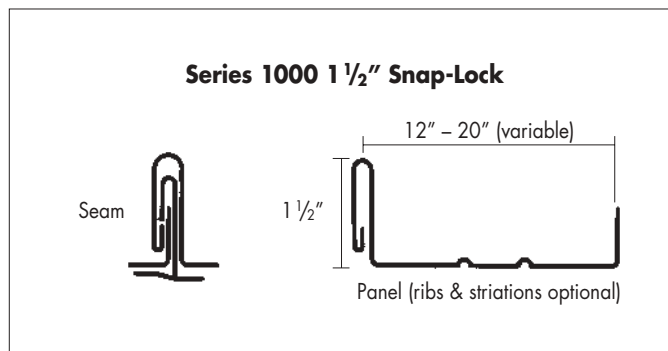
Englert can match the color of virtually any material — including brick, wood and fabric — with short lead times needed.

Custom colors are available in quantities as low as 5,000 lbs. on steel or aluminum.



System Warranties

- Galvalume Plus® — 25-year steel warranty on acrylic coated Galvalume®
- PermaColor 2000 — 30-year steel or aluminum warranty on Kynar 500®/Hylar 5000® coating
- PermaMetallic 2000 — 20-year steel or aluminum warranty on Kynar 500®/Hylar 5000® coating
- Siliconized Modified Polyester — 15-year steel or aluminum coating warranty



Ratings and Certifications

- UL-90 rated over 5/8" plywood at 20" wide with clips at 18" o.c. (24 ga. steel)
- ASTM-E-84 Class A fire rating on coating and substrate
- Metro-Dade County wind driven rain tested at 70 mph