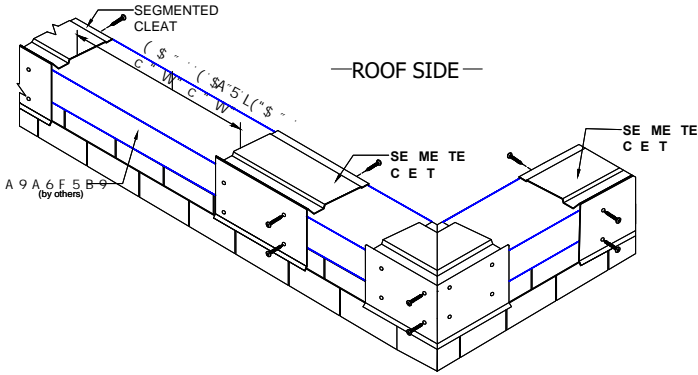
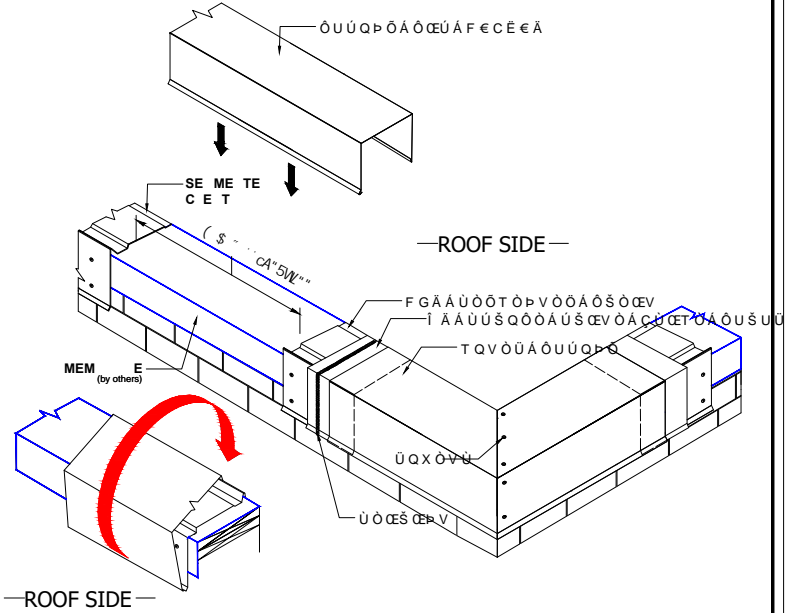


ENGLERT®



Step 1: Installation using 20 gauge segmented galvanized cleats Installer needs to ensure to use proper membrane over parapet wall from flat roof manufacturer. You will need to miter your galvanized corner cleats to ensure proper fit. Each corner cleat should have 4 screws on each side of the face and 1 on the back at each side. Remaining cleats are to be installed minimum 40" on center. Each additional cleat is 12" in width and will need 4 screws in front and 2 at the back. #10-13 x 1" GP screws will be provided and are tested. All galvanized cleats are pre-punched.

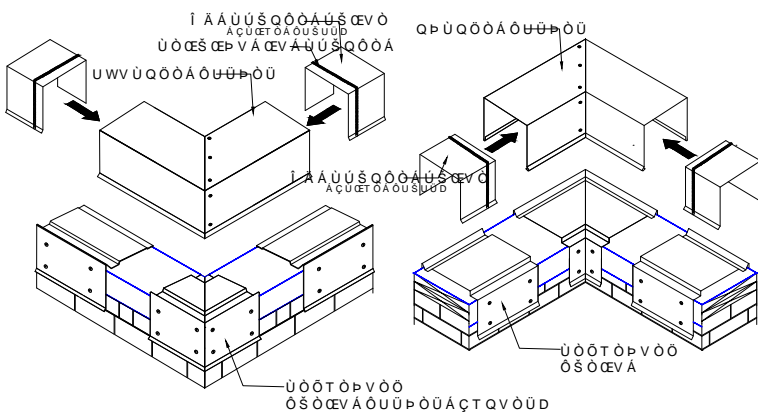


Step 3: Snap-on Coping Installation

Make sure cleats line up at the ends of the coping. Place sealant over the provided splice plate on the back of the coping. Push down at the top front of coping so that the front end of segmented cleat engages to the coping. Remove or release the coping. It is secured attached. Copings Englert comes in 10-0 increments.

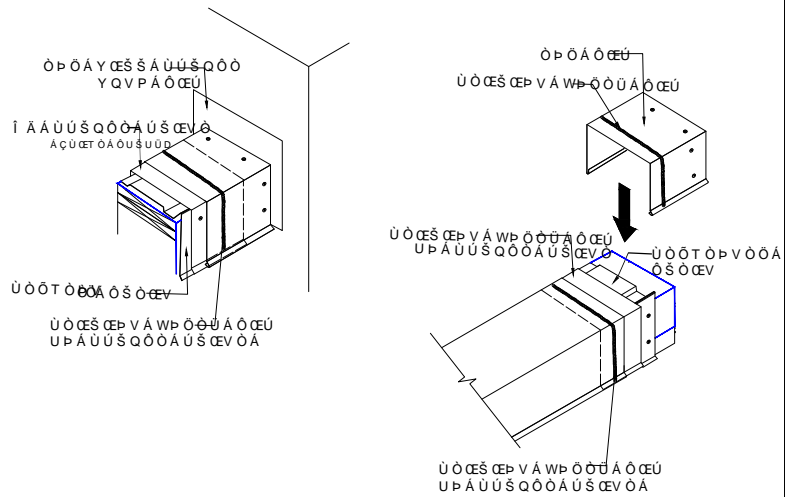
OUTSIDE CORNER

INSIDE CORNER



Step 2: Snap-on Miter Corner Installation

Make sure the segmented cleat lines up centered at the ends of the miter. Place sealant inside on each end of splice plate. Install splice plate into each end of the miter. Miter corner. On first at roof side. Push down at top front of miter so that the front end of segmented cleat engages to the miter.



Step 4: Snap-on Coping End Terms & End Caps

Place the end cap and end term caps into place. Place sealant and install a splice plate into the end term or end cap. Install end caps and end terms. On first. Pushing down at top front of miter so that the front end of segmented cleat engages to the miter.