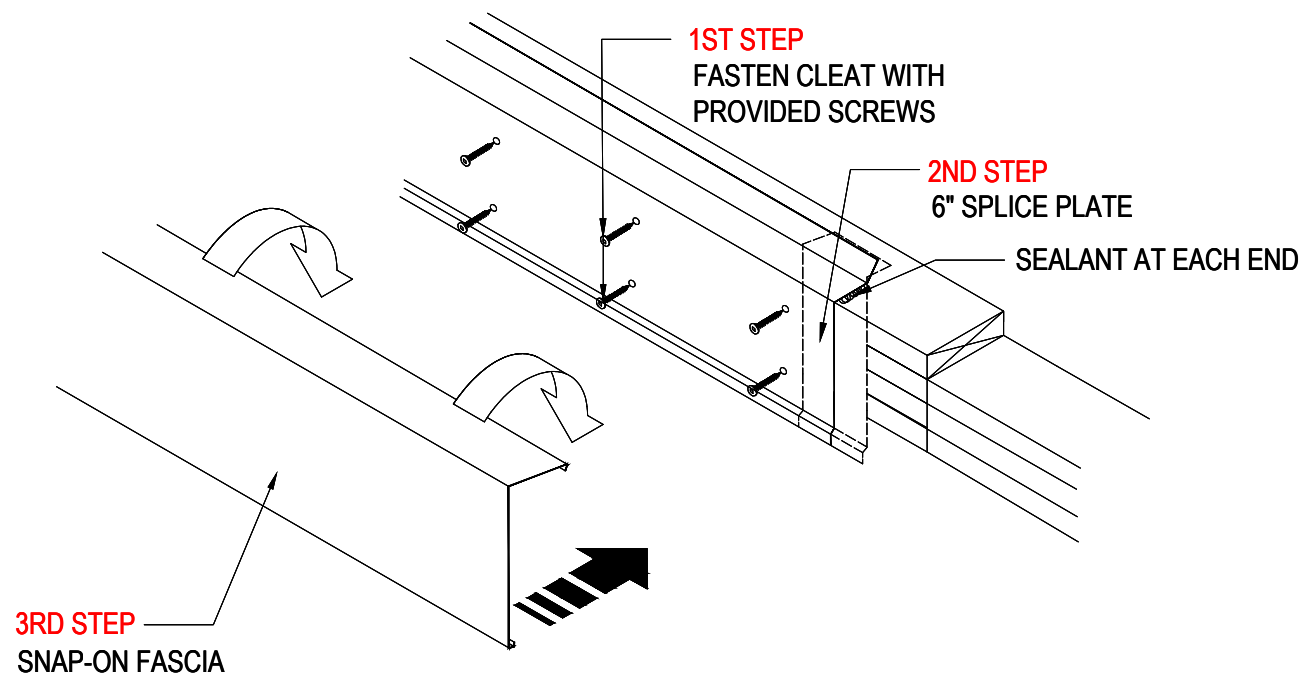


PermaEdge Fascia 1

INSTALLATION INSTRUCTIONS



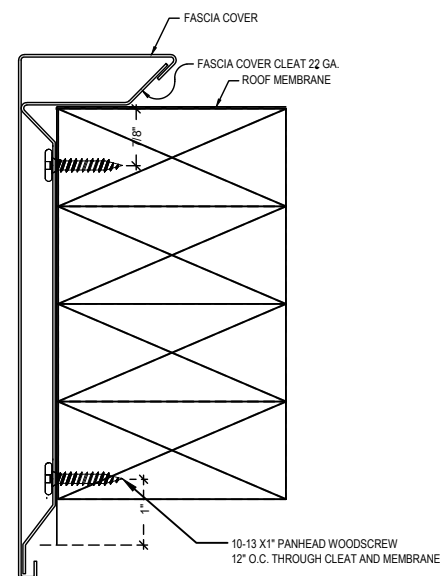
STEP 1, INSTALL 22 GA. FASCIA CLEAT WITH PROVIDED SCREWS FROM MANUFACTURER, INSTALLED 12" O.C. MAKE SURE TO ADD SEALANT AT SEAMS.

STEP 2 INSTALL 6" SPLICE PLATE (10' INCREMENTS).

STEP 3 INSTALL SNAP-ON FASCIA. HOOK TOP ON FIRST, PUSHING DOWN UNTIL THE BOTTOM OF THE FASCIA COVER CAN HOOK ON TO THE CLEAT HEM.

NOTE: REMOVE PROTECTIVE FILM IMMEDIATELY AFTER INSTALLATION.

TYPICAL INSTALLATION



ENGLERT
PermaEdge Fascia 1

Corporate Office:
1200 Amboy Avenue
Perth Amboy, NJ 08861

Customer Support:
1-800-ENGLERT

WWW.ENGLERTINC.COM

DATE: 09/13/2022

DRAWN BY: NY

SHEET# 1 OF 1

DWG# F1