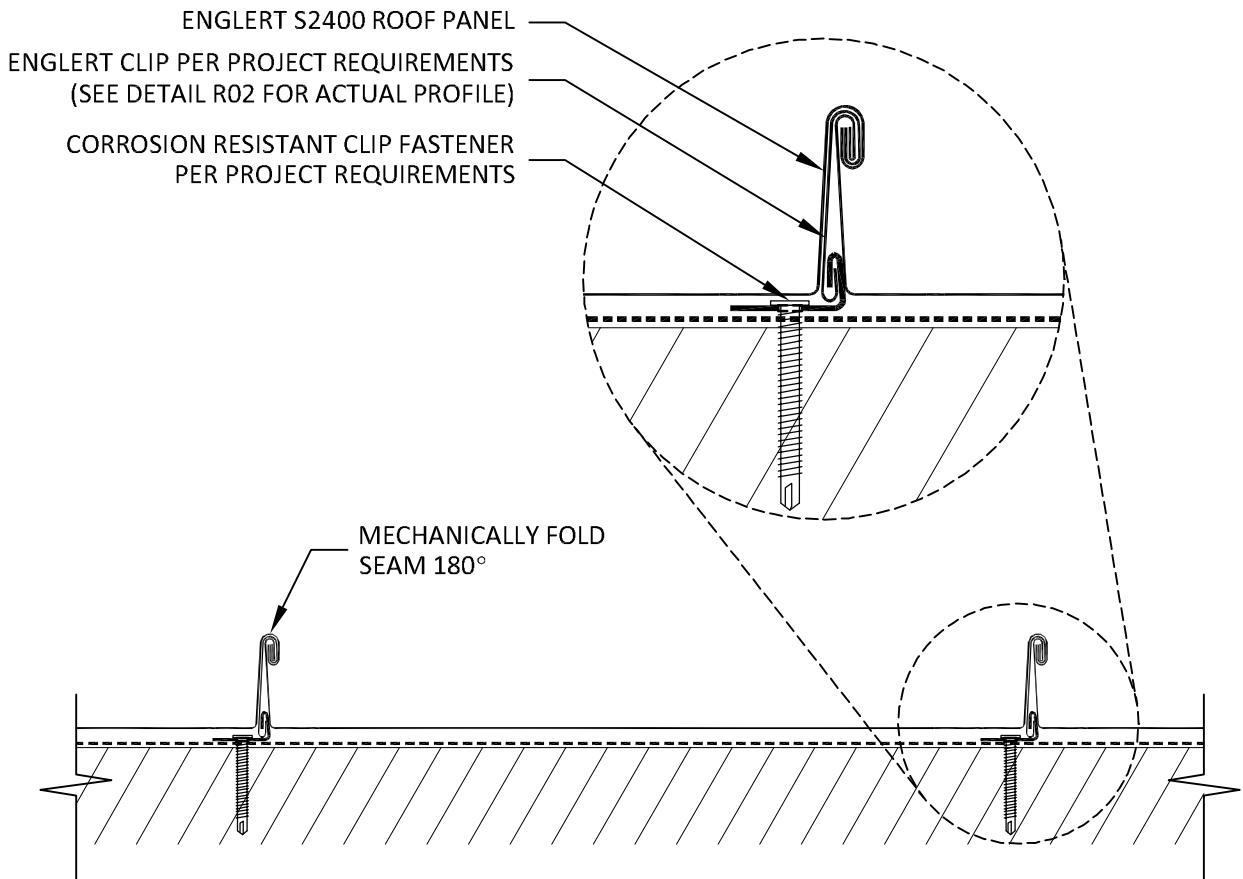


PHASE 1: INSTALL PRODUCTS

FOR USE ON SOLID SUBSTRATES SUCH AS:
SOLID DECK, HARD SURFACE, or OPEN FRAMING



PHASE 2: FIELD SEAMING

 **ENGLERT™**
www.englertinc.com
800-364-5378

GENERIC BEST PRACTICE ASSEMBLY
SHOWN. WATERTIGHTNESS
WARRANTY NOT IMPLIED.
WHEN SITE CONDITION DIFFERS,
SPECIFIC ENGINEERING NECESSARY.

ROOF PANEL SEAM

SERIES S2400 - 180° SEAM

DETAIL SUBJECT TO CHANGE
WITHOUT NOTICE.

Detail #
R04.24-d