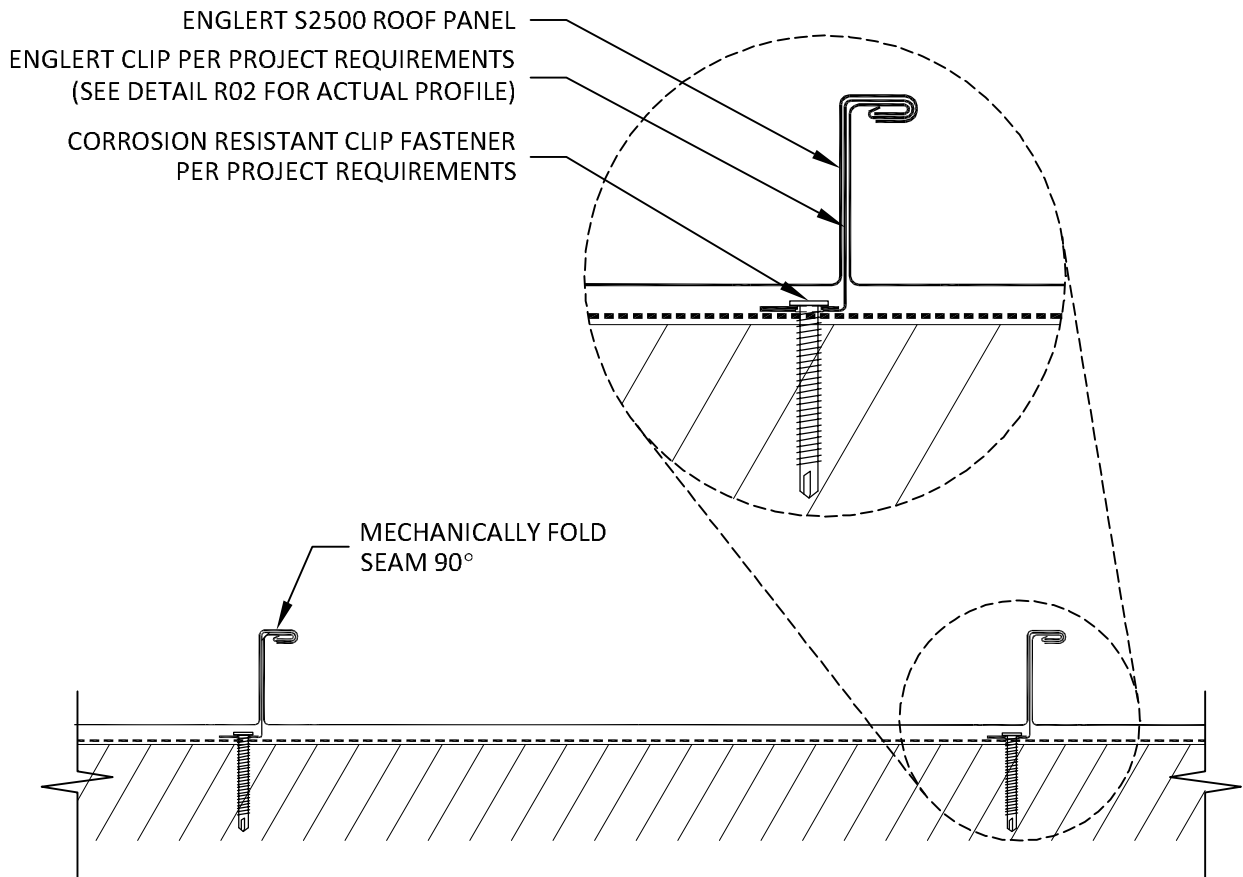


PHASE 1: INSTALL PRODUCTS
 FOR USE ON SOLID SUBSTRATES SUCH AS:
 SOLID DECK, HARD SURFACE, or OPEN FRAMING



PHASE 2: FIELD SEAMING

ENGLERT
 www.englertinc.com
 800-364-5378

GENERIC BEST PRACTICE ASSEMBLY SHOWN. WATERTIGHTNESS WARRANTY NOT IMPLIED. WHEN SITE CONDITION DIFFERS, SPECIFIC ENGINEERING NECESSARY.

ROOF PANEL SEAM

SERIES S2500 - 90° SEAM

DETAIL SUBJECT TO CHANGE WITHOUT NOTICE.

Detail #
R04.25-s