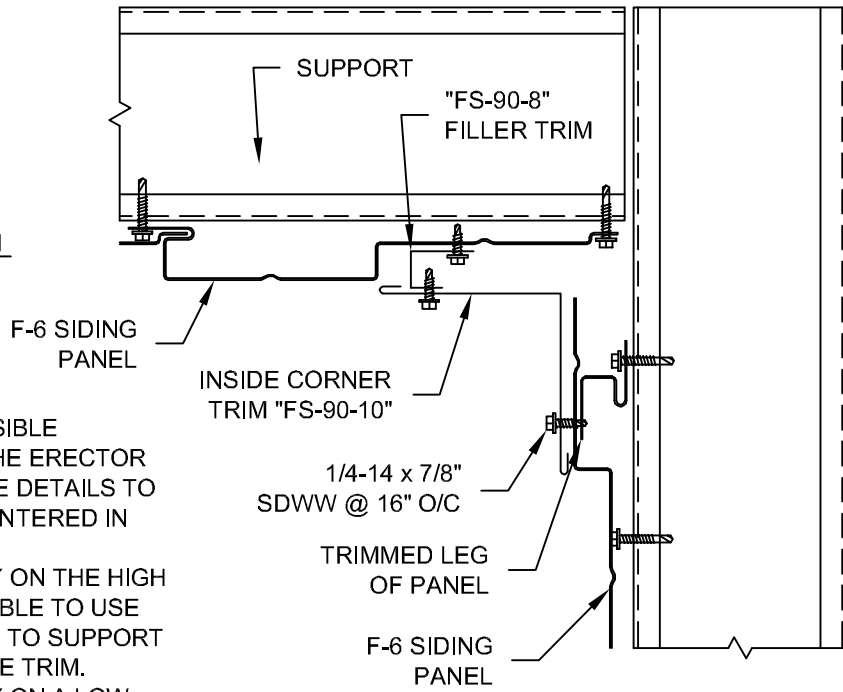


OUTSIDE CORNER DETAIL



INSIDE CORNER DETAIL

ERECTOR NOTES:

1. THESE DETAILS SHOW (1) POSSIBLE CONDITION FOR EACH DETAIL. THE ERECTOR IS RESPONSIBLE TO ADAPT THESE DETAILS TO THE SPECIFIC CONDITION ENCOUNTERED IN THE FIELD.
2. IF THE PANEL ENDS PARTIALLY ON THE HIGH CELL OF THE PANEL; IT IS DESIRABLE TO USE THE TRIMMED LEG OF THE PANEL TO SUPPORT THE PANEL WHILE ATTACHING THE TRIM.
3. IF THE PANEL ENDS PARTIALLY ON A LOW CELL; THEN THE "FS-90-8" FILLER TRIM MUST BE USED.



www.englertinc.com
800-364-5378

GENERIC BEST PRACTICE ASSEMBLY SHOWN. WATERTIGHTNESS WARRANTY NOT IMPLIED. WHEN SITE CONDITION DIFFERS, SPECIFIC ENGINEERING NECESSARY.

E-6/6 STANDARD DETAILS

OUTSIDE & INSIDE CORNER DETAILS

DETAIL SUBJECT TO CHANGE WITHOUT NOTICE.

Detail #

W.E66.09

Project:

Date:

Location:

Scale: NTS

By: